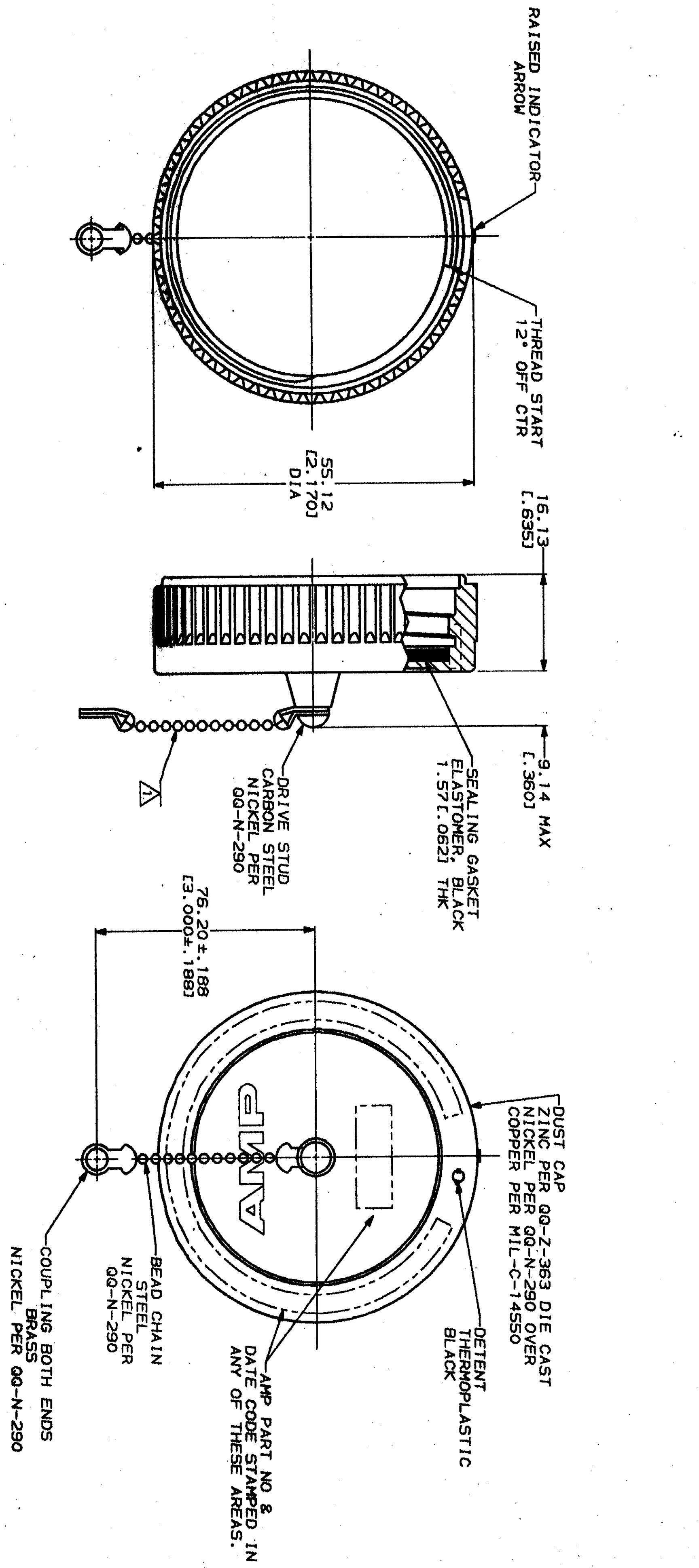


REV	NO	DATE	BY	APPD	DESCRIPTION
23	BD 39				F REPAIR & REV ECH B05241



△ BEADED PORTION OF CHAIN MUST ROTATE FREELY. THE EYELET OF THE CHAIN IS NOT REQUIRED TO SPIN FREELY AROUND THE STUD.

DO NOT SCALE PRINT. UNLESS SPECIFIED DIMENSIONS IN MM (INCHES) TOLERANCES ON 1. 2 PLC DEC ± 0.25 [L.010] 3 PLC DEC ± .1		DR 08/13/91 R. SHIREY	
MATERIAL SEE CALLOUTS		CHK R. Shaw 9-5-91	
FINISH SEE CALLOUTS		APPD K. Blawie 9-17-91	
APPLICATION SPEC		APPD J. Johnson 9/19/91	
WEIGHT		NAME	
SCALE 2:1		AMP Incorporated Harrisburg, PA 17105-3608	
SIZE CASE CODE 00779		DRAWING NO 211904	
SHEET 1 OF 1		PART NO 211904-1	

PROTECTIVE CAP ASSEMBLY, SIZE 28, CMC

CUSTOMER DRAWING